

39101 Euro Hexsert

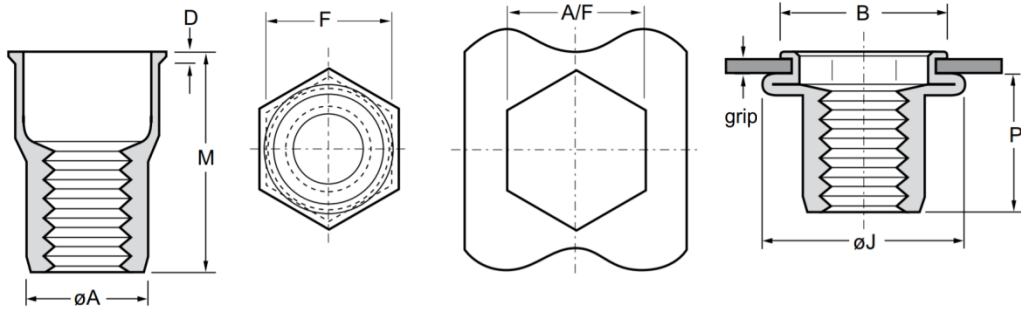
Steel · Low profile · Hexagonal · Open end
M4 - M10

Features

- Hexagonal section and bore improves torque-to-turn in components via form lock when compared to round and splined inserts
- Superior pull-out performance
- Double diameter body and lead-in chamfer provide easy insertion into hole
- Low profile head allows near flush fit to application

Material

- Low carbon steel, zinc plated, clear trivalent passivated
(DIN EN 10263-2 Qst 34-3, BS EN/DIN 10263-2 C8C, Werkstoff 1.0213, SAE 1008)



Before Placement

After Placement

Part No.	Thread Size	Grip Range		A/F	øA	B	D	F	øJ	M	P
		min.	max.	+0.1 / -0	±0.8	max.	±0.07	±0.08	max.	±0.50	max.
39101-74020	M4 x 0.7	0.50	2.00	6.0	5.89	7.80	0.69	5.89	9.20	10.50	6.00
39101-75030	M5 x 0.8	0.50	3.00	7.0	6.89	9.10	0.77	6.89	11.20	12.70	8.60
39101-76030	M6 x 1.0	0.50	3.00	9.0	8.89	11.60	0.91	8.89	13.40	15.00	10.10
39101-78030	M8 x 1.25	0.50	3.00	11.0	10.89	14.20	1.07	10.89	16.20	17.50	11.40
39101-70035	M10 x 1.5	1.00	3.50	13.0	12.89	16.40	1.07	12.89	18.50	20.20	13.20

Thread Size	Max. torque	Pull-out	Torque-to-turn	Push-out
	Nm max.	kN	Nm min.	kN
M4 x 0.7	5.1	6.3	4.2	1.4
M5 x 0.8	7.9	8.8	7.5	2.6
M6 x 1.0	12.4	14.4	10.7	3.2
M8 x 1.25	32.0	15.0	22.7	4.1
M10 x 1.5	45.0	19.7	38.5	5.2



Can't find what you are looking for?

We can provide unique and customized solutions.
Contact your nearest [Gripwell](#) team for assistance!